

A3

Portable Measuring Arm with a new handling experience



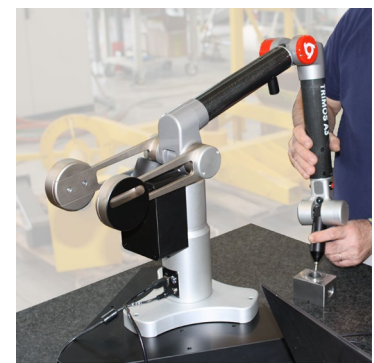
1.

PRESENTATION

The A3 is the newest model of the Trimos A-line portable articulated measuring arms.

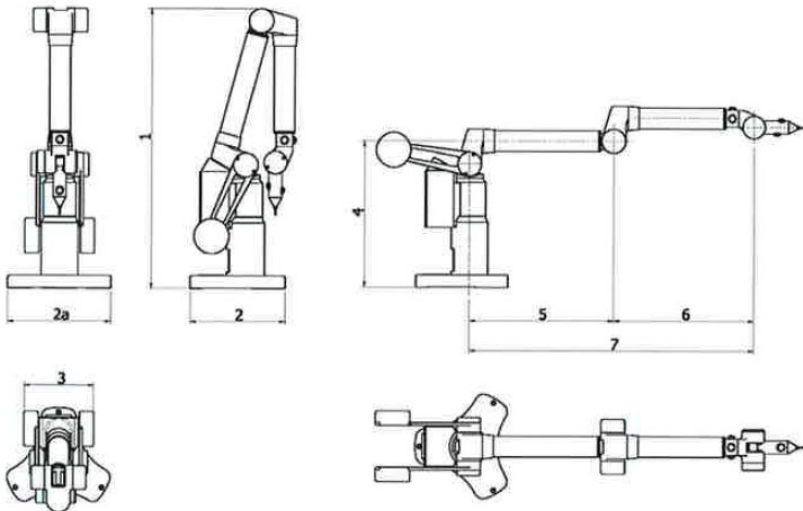
With its extremely easy use, flexibility and accurate 3D measurements, the A3 allows the quality control, inspection and verification of small and large size parts. The 6-axis configuration arm is available at 1300 mm and 1800 mm measuring range. The carbon fiber tubes and aluminum mount base allow to the A3 arm an extremely stable and light structure. With its mass counterbalance an excellent handling experience is guaranteed.

- Measuring ranges up to 1800 mm
- Extremely easy to use, portable and compact measuring instrument
- 6 axis configurations
- Tubes in carbon fiber
- Mechanical probe with ruby stylus sphere, Ø 4mm
- Internal temperature sensor
- Connection USB
- Ø20mm calibrated sphere with magnetic support



2.

TECHNICAL SPECIFICATIONS



Dimensions (mm)

	A3-1300	A3-1800
1	639	760
2	214	214
2a	239	239
3	161	175
4	334	334
5	327	452
6	323	448
7	650	900

A3	Axes	Measuring range (mm)	Volumetric accuracy (mm)	Repeatability (mm)	Weight (Kg)
A3 – 1300	6	1300	+/- 0.015	0.008	9.5
A3 – 1800	6	1800	+/- 0.018	0.008	10.4

Trimos S.A.
 Av. de Longemalle 5
 CH-1020 Renens
 T. +41 21 633 01 01
 info@trimos.ch
www.trimos.com

